

Feuille de compétition / Competition Sheet

LVIII Memoriał Władysława Pytłasińskiego/Poland OPEN



Style: null GR59

QUALIFICATION				1/16 FINALE				1/8 FINALE			
1		Albert Baghumyan (ESP)	P1 P2	1	0	ESP	P1 P2	2	3	POL	P1 P2
			P1 P2		0		0 0		4		P1 P2
			P1 P2		8		6 2				4 0
2		Michał Tracz (POL)	P1 P2	2	4	POL	P1 P2				
			P1 P2				0 0				
3		Nickolas Triggas (USA)	P1 P2	3	0	USA	P1 P2	4	1	BLR	P1 P2
			P1 P2				0 0				0 1
4		Maksim Kazharski (BLR)	P1 P2	4	4	BLR	P1 P2				
			P1 P2		8		8 0				
5		Aleksandar Kostadinov (BUL)	P1 P2	5	3	BUL	P1 P2	5	4	BUL	P1 P2
			P1 P2		9		3 6		8		5 3
6		Ivan Lizatovic (CRO)	P1 P2	6	1	CRO	P1 P2				
			P1 P2		6		6 0				
7		Csongor Knipli (HUN)	P1 P2	7	3	HUN	P1 P2	7	0	HUN	P1 P2
			P1 P2		3		2 1		0		0 0
8		Dmytro Tymbaliuk (UKR)	P1 P2	8	1	UKR	P1 P2				
			P1 P2		2		0 2				
9		Hamid Sorian (IRI)	P1 P2	9	1	IRI	P1 P2	10	1	RUS	P1 P2
			P1 P2		4		4 0		2		P1 P2
10		Ibragim Labazanov (RUS)	P1 P2	10	3	RUS	P1 P2				2 0
			P1 P2		4		4 0				
11		Andre Berge Stig (NOR)	P1 P2	11	3	NOR	P1 P2	11	3	NOR	P1 P2
			P1 P2		5		0 5		3		P1 P2
12		Tonimir Sokol (CRO)	P1 P2	12	0	CRO	P1 P2				1 2
			P1 P2				0 0				
13		Mingyan Semenov (RUS)	P1 P2	13	4	RUS	P1 P2	13	4	RUS	P1 P2
			P1 P2		8		8 0		8		P1 P2
14		Oleksii Vasylets (UKR)	P1 P2	14	0	UKR	P1 P2				0 0
			P1 P2		0		0 0				
15		Arkadiusz Gucik (POL)	P1 P2	15	0	POL	P1 P2	16	0	DEN	P1 P2
			P1 P2		0		0 0		0		P1 P2
16		Tobias Fannesbek (DEN)	P1 P2	16	4	DEN	P1 P2				0 0
			P1 P2		9		1 8				
17		Serif Kilic (TUR)	P1 P2	17	1	TUR	P1 P2	18	0	GER	P1 P2
			P1 P2		8		6 2		0		P1 P2
18		Erik Weiss (GER)	P1 P2	18	3	GER	P1 P2				0 0
			P1 P2		12		3 9				
19		Li Jiang (CHN)	P1 P2	19	1	CHN	P1 P2	20	3	JPN	P1 P2
			P1 P2		1		0 1		6		P1 P2
20		Shota Tanokura (JPN)	P1 P2	20	3	JPN	P1 P2				2 4
			P1 P2		7		1 6				
21		Mohsen Hajipour (IRI)	P1 P2	21	4	IRI	P1 P2	21	1	IRI	P1 P2
			P1 P2		8		5 3		7		P1 P2
22		Elbek Tazhyiev (BLR)	P1 P2	22	0	BLR	P1 P2				0 0
			P1 P2		0		0 0				
23		Hammet Rustem (TUR)	P1 P2	23	4	TUR	P1 P2	23	3	TUR	P1 P2
			P1 P2		14		14 0		10		P1 P2
24		Oleksandr Tryfonov (UKR)	P1 P2	24	1	UKR	P1 P2				4 6
			P1 P2		3		3 0				
25		Joaquin Martinez Abellan (ESP)	P1 P2	25	1	ESP	P1 P2	26	0	POL	P1 P2
			P1 P2		2		0 2		0		P1 P2
26		Przemysław Piątek (POL)	P1 P2	26	3	POL	P1 P2				0 0
			P1 P2		6		2 4				
27		Qiye Tian (CHN)	P1 P2	27	1	CHN	P1 P2	28	4	BLR	P1 P2
			P1 P2		1		1 0		10		P1 P2
28		Soslan Daurov (BLR)	P1 P2	28	4	BLR	P1 P2				0 0
			P1 P2		10		0 10				
29	1	Edward Barsegjan (POL)	P1 P2	30	0	POL	P1 P2	32	3	BUL	P1 P2
	8		P1 P2		0		0 0		8		P1 P2
30	3	Dawid Ersetic (POL)	P1 P2								2 6
	11		P1 P2								
31	0	Mate Krasznai (HUN)	P1 P2	32	4	BUL	P1 P2				
	0		P1 P2		8		6 2				
32	3	Ivo Angelov (BUL)	P1 P2								
	4		P1 P2								
33	0	Deniz Menekse (GER)	P1 P2	34	0	TUR	P1 P2	36	1	KGZ	P1 P2
	0		P1 P2		0		0 0		3		P1 P2
34	4	Fatih Uuncu (TUR)	P1 P2								0 3
	9		P1 P2								
35	0	Michal Novak (CZE)	P1 P2	36	3	KGZ	P1 P2				
	0		P1 P2		5		4 1				
36	4	K. Zholchubekov (KGZ)	P1 P2								
	8		P1 P2								



Feuille de compétition / Competition Sheet

LVIII Memoriał Władysława Pytłasińskiego/Poland OPEN



Style: null GR59

1/16 FINALE			1/8 FINALE			1/4 FINALE			1/2 FINALE			FINALE			WINNER								
1	0/0	Albert Baghumyan (ESP)	P1	P2	0/0	2	3	POL	P1	P2	4/0	2	1	POL	P1	P2	0/3	5	0	BUL	P1	P2	0/0
2	4/8	Michał Tracz (POL)	P1	P2	6/2		4	1	BLR	P1	P2		0/1	5	3	BUL	P1		P2	1/4			
3	0/0	Nickolas Triggas (USA)	P1	P2	0/0	4	1	BLR	P1	P2	0/1	5	3	BUL	P1	P2	1/4	13	5	RUS	P1	P2	0/0
4	4/8	Maksim Kazharski (BLR)	P1	P2	8/0		5	4	BUL	P1	P2		5/3	7	0	HUN	P1		P2	0/0			
5	3/9	Aleksandar Kostadinov (BUL)	P1	P2	3/6	5	4	BUL	P1	P2	5/3	5	3	BUL	P1	P2	1/4	13	5	RUS	P1	P2	0/0
6	1/6	Ivan Lizatovic (CRO)	P1	P2	6/0		7	0	HUN	P1	P2		0/0	11	0	NOR	P1		P2	0/0			
7	3/3	Csongor Knipli (HUN)	P1	P2	2/1	7	0	HUN	P1	P2	0/0	11	0	NOR	P1	P2	0/0	13	4	RUS	P1	P2	2/7
8	1/2	Dmytro Tsybaliuk (UKR)	P1	P2	0/2		10	1	RUS	P1	P2		2/0	11	3	NOR	P1		P2	1/2			
9	1/4	Hamid Sorian (IRI)	P1	P2	4/0	10	1	RUS	P1	P2	2/0	11	0	NOR	P1	P2	0/0	13	4	RUS	P1	P2	2/7
10	3/4	Ibragim Labazanov (RUS)	P1	P2	4/0		13	4	RUS	P1	P2		8/0	13	3	RUS	P1		P2	2/2			
11	3/5	Andre Berge Stig (NOR)	P1	P2	0/5	11	3	NOR	P1	P2	1/2	13	3	RUS	P1	P2	2/2	13	4	RUS	P1	P2	2/7
12	0/0	Tonimir Sokol (CRO)	P1	P2	0/0		13	4	RUS	P1	P2		8/0	16	0	DEN	P1		P2	0/0			
13	4/8	Mingiyān Semenov (RUS)	P1	P2	8/0	13	4	RUS	P1	P2	8/0	13	3	RUS	P1	P2	2/2	13	4	RUS	P1	P2	2/7
14	0/0	Oleksii Vasylets (UKR)	P1	P2	0/0		16	0	DEN	P1	P2		0/0	17	1/8	Serif Kilic (TUR)	P1		P2	6/2			
15	0/0	Arkadiusz Gucik (POL)	P1	P2	0/0	16	0	DEN	P1	P2	0/0	20	1	JPN	P1	P2	2/0	23	0	TUR	P1	P2	0/0
16	4/9	Tobias Fønnesbek (DEN)	P1	P2	1/8		18	0	GER	P1	P2		0/0	20	3	JPN	P1		P2	2/4			
17	1/8	Serif Kilic (TUR)	P1	P2	6/2	18	0	GER	P1	P2	0/0	20	1	JPN	P1	P2	2/0	23	0	TUR	P1	P2	0/0
18	3/12	Erik Weiss (GER)	P1	P2	3/9		20	3	JPN	P1	P2		2/4	21	4	IRI	P1		P2	7/0			
19	1/1	Li Jiang (CHN)	P1	P2	0/1	20	3	JPN	P1	P2	2/4	20	3	JPN	P1	P2	2/4	23	4	TUR	P1	P2	4/6
20	3/7	Shota Tanokura (JPN)	P1	P2	1/6		21	1	IRI	P1	P2		7/0	23	3	TUR	P1		P2	4/6			
21	4/8	Mohsen Hajipour (IRI)	P1	P2	5/3	21	1	IRI	P1	P2	7/0	23	4	TUR	P1	P2	4/6	32	0	BUL	P1	P2	0/0
22	0/0	Elbek Tazhyiev (BLR)	P1	P2	0/0		23	4	TUR	P1	P2		4/6	26	0	POL	P1		P2	0/0			
23	4/14	Hammet Rustem (TUR)	P1	P2	14/0	23	3	TUR	P1	P2	4/6	23	4	TUR	P1	P2	4/6	28	1	BLR	P1	P2	0/2
24	1/3	Oleksandr Tryfonov (UKR)	P1	P2	3/0		26	0	POL	P1	P2		0/0	28	4	BLR	P1		P2	10/0			
25	1/2	Joaquin Martinez Abellan (ESP)	P1	P2	0/2	26	0	POL	P1	P2	0/0	28	1	BLR	P1	P2	0/2	32	3	BUL	P1	P2	0/3
26	3/6	Przemysław Piątek (POL)	P1	P2	2/4		28	4	BLR	P1	P2		10/0	32	3	BUL	P1		P2	0/4			
27	1/1	Qiye Tian (CHN)	P1	P2	1/0	28	4	BLR	P1	P2	10/0	28	1	BLR	P1	P2	0/2	32	3	BUL	P1	P2	0/4
28	4/10	Soslan Daurov (BLR)	P1	P2	0/10		30	0	Dawid Ersetic (POL)	P1	P2		0/0	32	3	BUL	P1		P2	0/4			
30	0/0	Dawid Ersetic (POL)	P1	P2	0/0	32	3	BUL	P1	P2	2/6	32	3	BUL	P1	P2	0/4	36	1	KGZ	P1	P2	0/3
32	4/8	Ivo Angelov (BUL)	P1	P2	6/2		36	1	KGZ	P1	P2		0/3	36	3	K. Zhoichubekov (KGZ)	P1		P2	4/1			
34	0/0	Fatih Ucuncu (TUR)	P1	P2	0/0	36	1	KGZ	P1	P2	0/3	36	1	KGZ	P1	P2	0/3	36	3	K. Zhoichubekov (KGZ)	P1	P2	4/1
36	3/5	K. Zhoichubekov (KGZ)	P1	P2	4/1		32	3	BUL	P1	P2		0/4	36	3	K. Zhoichubekov (KGZ)	P1		P2	4/1			

13 Mingiyān Semenov (RUS)



Feuille de compétition / Competition Sheet

LVIII Memoriał Władysława Pytłasińskiego/Poland OPEN



Style: null

GR59

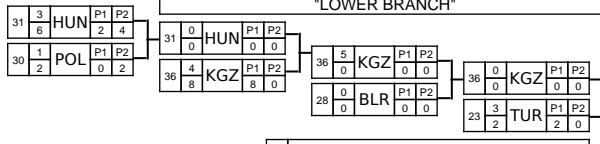
"REPECHAGE"

"UPPER BRANCH"



Médaille de Bronze 5 Aleksandar Kostadinov (BUL)

"LOWER BRANCH"



Médaille de Bronze 23 Hammet Rustem (TUR)

Classement

Cl	Pays	Nom
1	RUS	Mingiyar Semenov (RUS)
2	BUL	Ivo Angelov (BUL)
3	TUR	Hammet Rustem (TUR)
3	BUL	Aleksandar Kostadinov (BUL)
5	KGZ	K. Zhoichubekov (KGZ)
5	NOR	Andre Berge Stig (NOR)
7	BLR	Soslan Daurov (BLR)
8	POL	Michał Tracz (POL)
9	DEN	Tobias Fønnesbek (DEN)
10	JPN	Shota Tanokura (JPN)
11	IRI	Mohsen Hajipour (IRI)
12	BLR	Maksim Kazharski (BLR)
13	TUR	Fatih Ucuncu (TUR)
14	POL	Dawid Ersetic (POL)
15	RUS	Ibragim Labazanov (RUS)
16	GER	Erik Weiss (GER)
17	POL	Przemysław Piątek (POL)
18	HUN	Mate Krasznai (HUN)
19	HUN	Csongor Knipli (HUN)
20	POL	Edward Barsegjan (POL)
21	TUR	Serif Kiliç (TUR)
22	CRO	Ivan Lizatovic (CRO)
23	IRI	Hamid Sorian (IRI)
24	UKR	Oleksandr Tryfonov (UKR)
25	UKR	Dmytro Tsybaliuk (UKR)
26	ESP	Joaquin Martinez Abellan (ESP)
27	CHN	Li Jiang (CHN)
28	CHN	Qiye Tian (CHN)
29	CRO	Tonimir Sokol (CRO)
30-33	BLR	Elbek Tazhyiev (BLR)
30-33	CZE	Michal Novak (CZE)
30-33	ESP	Albert Baghumyan (ESP)
30-33	USA	Nickolas Triggas (USA)
34-35	POL	Arkadiusz Gucik (POL)
34-35	GER	Deniz Menekse (GER)
36	UKR	Oleksii Vasylets (UKR)



Feuille de compétition / Competition Sheet

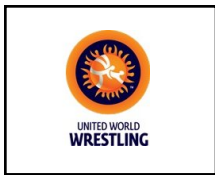
LVIII Memoriał Władysława Pytłasińskiego/Poland OPEN



Style: null GR66

QUALIFICATION		1/8 FINALE	1/4 FINALE	1/2 FINALE	FINALE	WINNER
1	Frunze Harutyunyan (SWE)	1	1	1	1	
2	Pavel Liakh (BLR)	2	2	2	2	
3	Abuyazid Mantsigov (RUS)	3	3	3	3	
4	Ismael Navarro (ESP)	4	4	4	4	
5	Yaraslau Kardash (BLR)	5	5	5	5	
6	Ugurli Abdulsamet (TUR)	6	6	6	6	
7	Mateusz Bernatek (POL)	7	7	7	7	
8	Frank Stabler (GER)	8	8	8	8	
9	Gaoquan Zhang (CHN)	9	9	9	9	
10	Artak Margaryan (FRA)	10	10	10	10	
11	Michał Kośla (POL)	11	11	11	11	
12	Mehdi Zeidvamd (IRI)	12	12	12	12	
13	Edgaras Venckaitis (LTU)	13	13	13	13	
14	Paal Airik Gundersen (NOR)	14	14	14	14	
15	Dawid Kareciński (POL)	15	15	15	15	
16	Kostyantyn Stas (BUL)	16	16	16	16	
17	Fevzi Mamutov (UKR)	17	17	17	17	
18	Cengiz Arslan (TUR)	18	18	18	18	
19	Dominic Etlinger (CRO)	19	19	19	19	
20	Pan Zheng (CHN)	20	20	20	20	
21	Fredrik Bjerrehus (DEN)	21	21	21	21	
22	Matous Morbitzer (CZE)	22	22	22	22	
23	Arslan Abdullin (RUS)	23	23	23	23	
24	Grzegorz Wanke (POL)	24	24	24	24	
25	Marius Thommesen (NOR)	25	25	25	25	
26	Guna Abdussamet (TUR)	26	26	26	26	
27	Adam Kurak (RUS)	27	27	27	27	
28	Danijel Janevic (CRO)	28	28	28	28	
29	Takeshi Izumi (JPN)	29	29	29	29	
30	Mikhail Siamionau (BLR)	30	30	30	30	
31	Geraei Mohammadali (IRI)	31	31	31	31	

8 Frank Stabler (GER)



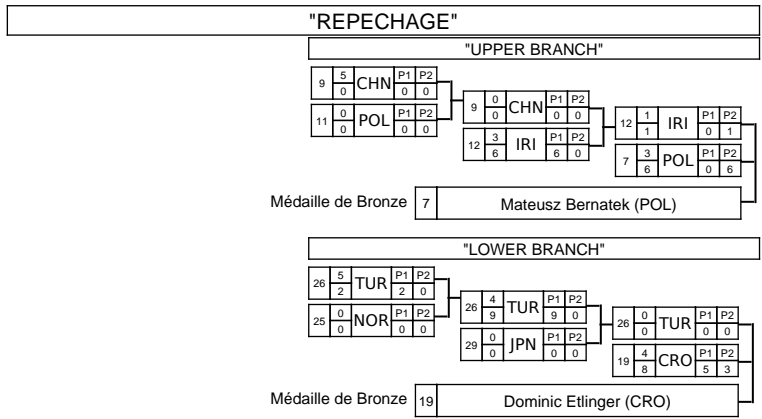
Feuille de compétition / Competition Sheet

LVIII Memoriał Władysława Pytłasińskiego/Poland OPEN



Style: null

GR66



Classement		
Cl	Pays	Nom
1	GER	Frank Stabler (GER)
2	RUS	Adam Kurak (RUS)
3	POL	Mateusz Bernatek (POL)
3	CRO	Dominic Etlinger (CRO)
5	TUR	Guna Abdussamet (TUR)
5	IRI	Mehdi Zeidvamd (IRI)
7	CHN	Pan Zheng (CHN)
8	IRI	Geraei Mohammadali (IRI)
9	JPN	Takeshi Izumi (JPN)
10	CHN	Gaoquan Zhang (CHN)
11	POL	Dawid Kareciński (POL)
12	BLR	Yaraslau Kardash (BLR)
13	BUL	Kostyantyn Stas (BUL)
14-15	RUS	Arslan Abdullin (RUS)
14-15	BLR	Pavel Liakh (BLR)
16	NOR	Marius Thommesen (NOR)
17	POL	Michał Kośła (POL)
18	SWE	Frunze Harutyunyan (SWE)
19	CRO	Danijel Janevic (CRO)
20	RUS	Abuyazid Mantsigov (RUS)
21	FRA	Artak Margaryan (FRA)
22	UKR	Fevzi Mamutov (UKR)
23	TUR	Ugurli Abdulsamet (TUR)
24	POL	Grzegorz Wanke (POL)
25	CZE	Matous Morbitzer (CZE)
26	BLR	Mikhail Siamionau (BLR)
27	DEN	Fredrik Bjerrehus (DEN)
28-29	ESP	Ismael Navarro (ESP)
28-29	LTU	Edgaras Venckaitis (LTU)
30-31	NOR	Paal Airik Gundersen (NOR)
30-31	TUR	Cengiz Arslan (TUR)



Feuille de compétition / Competition Sheet

LVIII Memoriał Władysława Pytłasińskiego/Poland OPEN

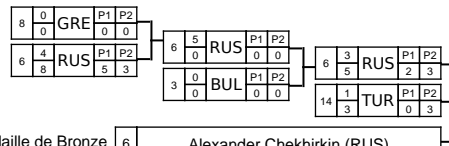


Style: null

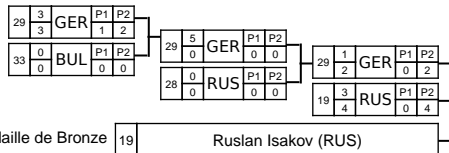
GR75

"REPECHAGE"

"UPPER BRANCH"

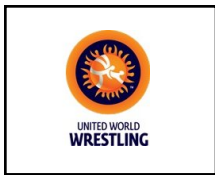


"LOWER BRANCH"



Classement

Cl	Pays	Nom
1	RUS	Roman Vlasov (RUS)
2	CRO	Bozo Starcevic (CRO)
3	RUS	Ruslan Isakov (RUS)
3	RUS	Alexander Chekhirkin (RUS)
5	GER	Florian Neumaier (GER)
5	TUR	Emrah Kus (TUR)
7	GER	Pascal Eisele (GER)
8	POL	Arkadiusz Kułynycz (POL)
9	RUS	Ilyas Magamadov (RUS)
10	BUL	Yavor Yanakiev (BUL)
11	BUL	Ilian Georgiev (BUL)
12	POL	Iwan Nylypiuk (POL)
13	DEN	Mark Madsen (DEN)
14	BLR	Kazbek Kilou (BLR)
15	POL	Edgar Babayan (POL)
16	SWE	Bogdan Kaurinnoi (SWE)
17	CHN	Bin Yang (CHN)
18-19	BLR	Aliaksandr Dzemyanovich (BLR)
18-19	JPN	Takehiro Kanakubo (JPN)
20	POL	Jacek Tomaszewski (POL)
21	CZE	Petr Novak (CZE)
22	LAT	Jevgenijs Kolcous (LAT)
23	CHN	Chang Yongxiang (CHN)
24	BLR	Valeriy Palenski (BLR)
25	GER	Damian Hartmann (GER)
26-28	KGZ	Daniab Kobonov (KGZ)
26-28	EGY	Omar K. Shehata Mohamed (EGY)
26-28	BLR	Marad Huseinav (BLR)
29	CRO	Neven Zugaj (CRO)
30	BLR	Aliaksandr Henuveina (BLR)
31	BLR	Rudik Kuliev (BLR)
32	POL	Krzysztof Niklas (POL)
33	GRE	Petros Manouilidis (GRE)



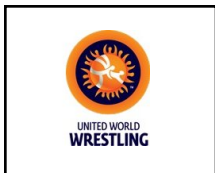
Feuille de compétition / Competition Sheet

LVIII Memoriał Władysława Pytłasińskiego/Poland OPEN



Style: null GR85

QUALIFICATION				1/16 FINALE				1/8 FINALE			
1		Kristofer Johansson (SWE)	P1 P2	1	3/6	SWE	P1 P2	1	1/3	SWE	P1 P2
			P1 P2								
2		Fabio Parisi (ITA)	P1 P2	2	1/1	ITA	P1 P2				
			P1 P2								
3		Aleksey Mishin (RUS)	P1 P2	3	4/10	RUS	P1 P2	3	3/3	RUS	P1 P2
			P1 P2								
4		Krystian Formela (POL)	P1 P2	4	1/1	POL	P1 P2				
			P1 P2								
5		Artur Omarov (CZE)	P1 P2	5	3/3	CZE	P1 P2	5	3/3	CZE	P1 P2
			P1 P2								
6		Melonin Noumonvi (FRA)	P1 P2	6	1/1	FRA	P1 P2				
			P1 P2								
7		Nenad Zugaj (CRO)	P1 P2	7	3/5	CRO	P1 P2	7	1/3	CRO	P1 P2
			P1 P2								
8		Laimutis Adomaitis (LTU)	P1 P2	8	0/0	LTU	P1 P2				
			P1 P2								
9		Javid Hamazatau (BLR)	P1 P2	9	1/3	BLR	P1 P2	10	3/5	GER	P1 P2
			P1 P2								
10		Jan Fisher (GER)	P1 P2	10	3/5	GER	P1 P2				
			P1 P2								
11		Dimitrios Tsekeridis (GRE)	P1 P2	11	1/4	GRE	P1 P2	12	1/2	EST	P1 P2
			P1 P2								
12		Alo Toom (EST)	P1 P2	12	3/6	EST	P1 P2				
			P1 P2								
13		Patryk Boniecki (POL)	P1 P2	13	4/8	POL	P1 P2	13	0/0	POL	P1 P2
			P1 P2								
14		Jesus Gasca (ESP)	P1 P2	14	0/0	ESP	P1 P2				
			P1 P2								
15		Denis Kudla (GER)	P1 P2	15	3/3	GER	P1 P2	15	4/9	GER	P1 P2
			P1 P2								
16		Damian Janikowski (POL)	P1 P2	16	1/1	POL	P1 P2				
			P1 P2								
17		Viktor Lorincz (HUN)	P1 P2	17	3/4	HUN	P1 P2	17	3/4	HUN	P1 P2
			P1 P2								
18		Roman Yusipov (RUS)	P1 P2	18	0/0	RUS	P1 P2				
			P1 P2								
19		Fei Peng (CHN)	P1 P2	19	3/5	CHN	P1 P2	19	1/2	CHN	P1 P2
			P1 P2								
20		Pedro J. Garcia (ESP)	P1 P2	20	1/4	ESP	P1 P2				
			P1 P2								
21		Mikalai Stadub (BLR)	P1 P2	21	5/4	BLR	P1 P2	21	1/1	BLR	P1 P2
			P1 P2								
22		Stanislav Kanev (BUL)	P1 P2	22	0/0	BUL	P1 P2				
			P1 P2								
23		Ramsin Azizsir (GER)	P1 P2	23	3/2	GER	P1 P2	23	3/6	GER	P1 P2
			P1 P2								
24		Taichi Oka (JPN)	P1 P2	24	0/0	JPN	P1 P2				
			P1 P2								
25		Metehan Basar (TUR)	P1 P2	25	1/12	TUR	P1 P2	26	1/2	GEO	P1 P2
			P1 P2								
26		Vladimir Gegeshidze (GEO)	P1 P2	26	3/15	GEO	P1 P2				
			P1 P2								
27		Movsar Duguchev (RUS)	P1 P2	27	3/7	RUS	P1 P2	27	3/5	RUS	P1 P2
			P1 P2								
28		Sergii Severyn (UKR)	P1 P2	28	1/2	UKR	P1 P2				
			P1 P2								
29	1/1	Eerik Aps (EST)	P1 P2	30	0/0	BUL	P1 P2	31	1/4	POL	P1 P2
			P1 P2								
30	3/3	Hristo Marinov (BUL)	P1 P2								
			P1 P2								
31	3/5	Tadeusz Michalik (POL)	P1 P2	31	3/3	POL	P1 P2				
			P1 P2								
32	1/3	Sosruko Kodzokov (RUS)	P1 P2								
			P1 P2								
33	1/1	Eugen Ponomartschuk (GER)	P1 P2	34	3/3	BLR	P1 P2	34	3/5	BLR	P1 P2
			P1 P2								
34	3/4	Aliaksandr Kikiniov (BLR)	P1 P2								
			P1 P2								
35	3/6	Rasmus Tjoerstad (NOR)	P1 P2	35	1/3	NOR	P1 P2				
			P1 P2								
36	1/4	Andrei Mikhailovski (BLR)	P1 P2								
			P1 P2								



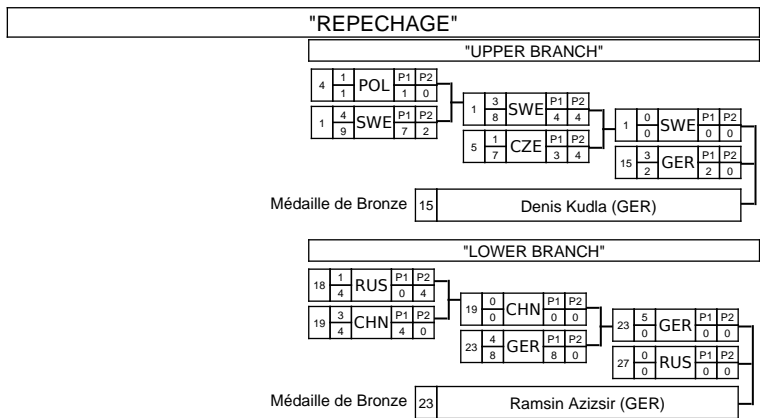
Feuille de compétition / Competition Sheet

LVIII Memoriał Władysława Pytłasińskiego/Poland OPEN



Style: null

GR85



Classement		
Cl	Pays	Nom
1	RUS	Aleksey Mishin (RUS)
2	HUN	Viktor Lorincz (HUN)
3	GER	Denis Kudla (GER)
3	GER	Ramsin Azizsir (GER)
5	RUS	Movsar Duguchev (RUS)
5	SWE	Kristofer Johansson (SWE)
7	BLR	Aliaksandr Kikiniou (BLR)
8	CZE	Artur Omarov (CZE)
9	POL	Tadeusz Michalik (POL)
10	CHN	Fei Peng (CHN)
11	BLR	Mikalai Stadub (BLR)
12	GER	Jan Fisher (GER)
13	POL	Patryk Boniecki (POL)
14	GEO	Vladimir Gegeshidze (GEO)
15	NOR	Rasmus Tjoerstad (NOR)
16	CRO	Nenad Zugaj (CRO)
17	EST	Alo Toom (EST)
18	BUL	Hristo Marinov (BUL)
19	POL	Krystian Formela (POL)
20	TUR	Metehan Basar (TUR)
21	ESP	Pedro J. Garcia (ESP)
22-23	GRE	Dimitrios Tsekeridis (GRE)
22-23	BLR	Andrei Mikhailovski (BLR)
24	RUS	Roman Yusipov (RUS)
25-26	RUS	Sosruko Kodzokov (RUS)
25-26	BLR	Javid Hamazatau (BLR)
27	UKR	Sergii Severyn (UKR)
28-30	EST	Eerik Aps (EST)
28-30	FRA	Melonin Noumonvi (FRA)
28-30	POL	Damian Janikowski (POL)
31	GER	Eugen Ponomartschuk (GER)
32	ITA	Fabio Parisi (ITA)
33	JPN	Taichi Oka (JPN)
34	BUL	Stanislav Kanev (BUL)
35	LTU	Laimutis Adomaitis (LTU)
36	ESP	Jesus Gasca (ESP)